



GiANT[®]
BY TOBROCO

SK SERIES

SPECIFICATIONS



MODEL	SK252D
ENGINE	25 hp
SERVICE WEIGHT	1,780 lbs
LIFTING HEIGHT	82.7 in.
TIPPING LOAD	956 lbs
WORKING HYDRAULICS	9.2 GPM
MAX. SPEED	4.3 mph



Higher lift heights and
higher tipping loads
compared to service weight



Higher travel
speeds



Lower
maintenance costs

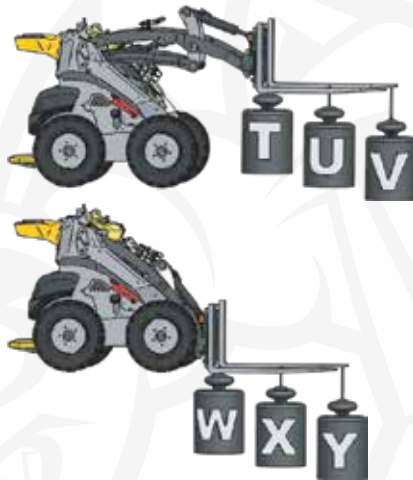
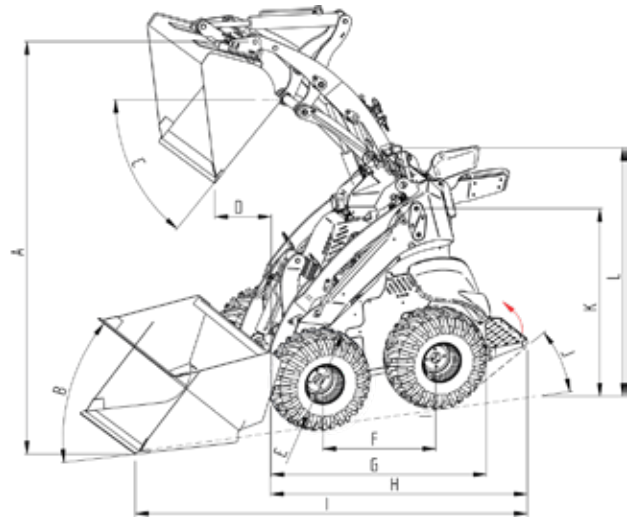
The GiANT SK252D offers a compact footprint allowing access to small spaces ordinarily not accessible by other manufacturers, allowing for more space on your trailer for efficient transportation to and from job sites. The SK252D is powered by a 25hp Kubota diesel engine that doesn't require after treatment systems for a reliable low cost machine to own and operate. This machine utilizes four-wheel motors and a variety of tire options minimizing damage to turf when compared with similar tracked machines. Offering multiple hydraulic functions, the SK252D accommodates several mini universal attachments controlled comfortably from the operator station. The SK252D has clear sight lines to the attachments and is comfortable to operate with adjustable hip brackets and operator platform. This head-turner gets the job done quick and easy for customers in landscaping, agriculture, tree care, construction and more.

GiANT Loaders North America reserves the right to make changes in specification at any time without notice or obligation.

DIMENSIONS

SK252D

A	82.7 in.
B	41°
C	39°
D	12.6 in.
E	max. Ø 33.5 in.
F	26 in.
G	54 in.
H	62.2 in.
I	86.6 in.
J	max. 20°
K	48.9 in.
L	53.6 in.



TIPPING LOADS

SK252D

T	956 lbs
U	597 lbs
V	430 lbs
W	2,161 lbs
X	957 lbs
Y	615 lbs