



GiANT[®]
BY TOBROCO

G2300 SERIES

 **COMING SOON**

SPECIFICATIONS



MODEL	G2300 HD	G2300 X-Tra HD
ENGINE	26 hp	26 hp
SERVICE WEIGHT	5,070 lbs	5,180 lbs
LIFTING HEIGHT	111 in.	96 in.
TIPPING LOAD	3,516 lbs	4,982 lbs
WORKING HYDRAULICS	10.5 GPM	10.5 GPM
MAX. SPEED	6.2/12.4 mph	6.2/12.4 mph



Reduced ground pressure and articulation minimize damage to ground



Lower operating RPM provides higher fuel efficiency



Enhanced operator comfort through articulation and oscillation



Lower maintenance costs



Higher lift heights and higher tipping loads compared to service weight

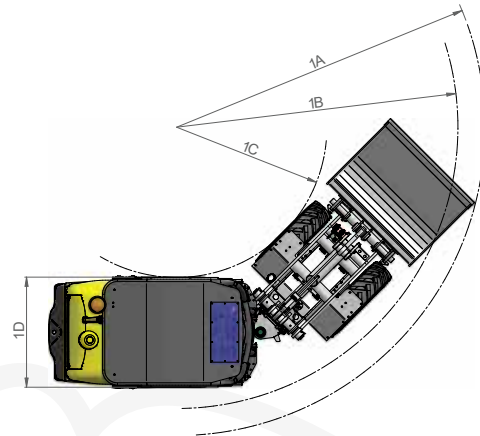


The GiANT G2300HD compact articulating loader is the newest of the GiANT lineup! By combining the compact frame of our G2200 and the strong driveline from the G2500HD, the G2300HD is the definition of big performance in a small package! Powered by a Kubota 4-cylinder diesel with 26 HP, this machine is not required to run a diesel oxidation catalyst (DOC) or diesel particulate filter (DPF). The G2300HD is available in 2 boom configurations, X-Tra and Z-Bar, both fitted with a universal skid steer quick attach plate (SSQA). Similar to the G2500HD, the G2300HD comes standard with a 2-speed gearbox, 8-ton axles and planetary final drives, capable of a 12.5mph top speed. Available with open ROPS, deluxe ROPS or optional full cab with heat, this machine fits well in all climate conditions. The G2300HD frame is compact but still has room for an oscillation joint, helping to improve ride quality and limit ground pressure. A few options include; tire profiles for various terrains, road lights for safe travel, rear hydraulic outlets, pro-inching and boom suspension. The G2300HD is compact, powerful, efficient and fits perfectly in all industries including; agriculture, construction, snow removal, land scaping and tree care.

GiANT Loaders North America reserves the right to make changes in specification at any time without notice or obligation.

DIMENSIONS

	G2300 HD	G2300 X-Tra HD
A	59.6 in.	62.2 in.
B	120.6 in.	123.8 in.
C	145.2 in.	150.7 in.
D	24.4 in.	24.4 in.
E	5.2 in.	5.2 in.
F	31.3 in.	31.3 in.
G	49.4 in.	49.4 in.
H	90.5 in.	90.5 in.
I	89.9 in.	89.9 in.
J	58.2 in.	49.2 in.
K	78.2 in.	66.1 in.
L	111.2 in.	96.4 in.
M	133.5 in.	119.6 in.
N	43°	41°
O	53°	46°
P	47°	37°
Q	29°	29°
R	Ø 29.9 in.	Ø 29.9 in.
1A	102.3 in.	104.3 in.
1B	90.2 in.	92.2 in.
1C	46.4 in.	48.4 in.
1D	42.5 in.	42.5 in.



TIPPING LOADS

	G2300 HD	G2300 X-Tra HD
S	3,516 lbs	4,982 lbs
T	3,031 lbs	3,836 lbs
U	2,303 lbs	2,766 lbs
V	1,807 lbs	2,061 lbs
W	4,850 lbs	6,492 lbs
X	3,075 lbs	3,858 lbs
Y	2,425 lbs	2,711 lbs