



GiANT[®]
BY TOBROCO

G2200 SERIES

SPECIFICATIONS



MODEL	G2200 HD	G2200 X-Tra HD	G2200 HD+	G2200 X-Tra HD+
ENGINE	26 hp	26 hp	26 hp	26 hp
SERVICE WEIGHT	4,630 lbs.	4,850 lbs.	4,630 lbs.	4,850 lbs.
LIFTING HEIGHT	111.2 in.	96.5 in.	111.2 in.	96.5 in.
TIPPING LOAD	3,197 lbs.	4,528 lbs.	3,197 lbs.	4,528 lbs.
WORKING HYDRAULICS	11.1 GPM	11.1 GPM	11.1 GPM	11.9 GPM
MAX. SPEED	6.2/12.4 mph	6.2/12.4 mph	6.2/12.4 mph	6.2/12.4 mph



Less tire wear and ground damage



Enhanced operator comfort through articulation and oscillation



Universal plate



Higher lift heights and higher tipping loads compared to service weight



Higher travel speeds

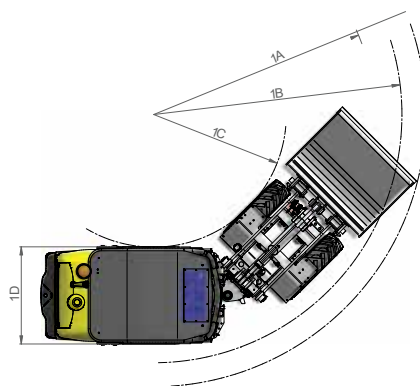


The GiANT G2200 features a 26hp Kubota diesel engine that doesn't require aftertreatment systems for a reliable, low-cost machine to own and operate. The G2200 HD and HD+ models come standard with a two-speed gearbox and heavy-duty axles for a higher pulling force. In addition, all models of the G2200 can be outfitted with a heated cab, open ROPS, or folding ROPS for easy access through lower doorways. The G2200 has an articulating and oscillating center joint, helping to improve ride quality and reducing ground pressure. This machine is available with a standard or X-Tra boom and fitted with the skid steer quick attach plate (SSQA). With optional traffic lights, LED strobe lighting and various auxiliary options this machine provides you with a formidable compact wheel loader, useful in snow removal, landscaping, tree care, construction and agriculture.

GiANT Loaders North America reserves the right to make changes in specification at any time without notice or obligation.

DIMENSIONS

	G2200 HD	G2200 X-Tra HD	G2200 HD+	G2200 X-Tra HD+
A	59.6 in.	62.2 in.	59.6 in.	62.2 in.
B	117.1 in.	120.2 in.	117.1 in.	120.2 in.
C	145.3 in.	150.8 in.	145.3 in.	150.8 in.
D	24.5 in.	24.5 in.	24.5 in.	24.5 in.
E	5.3 in.	5.3 in.	5.3 in.	5.3 in.
F	31.4 in.	31.4 in.	31.4 in.	31.4 in.
G	49.4 in.	49.4 in.	49.4 in.	49.4 in.
H	90.6 in.	90.6 in.	90.6 in.	90.6 in.
I	89.9 in.	89.9 in.	89.9 in.	89.9 in.
J	58.3 in.	49.2 in.	58.3 in.	49.2 in.
K	78.3 in.	66.1 in.	78.3 in.	66.1 in.
L	111.2 in.	96.5 in.	111.2 in.	96.5 in.
M	133.5 in.	119.7 in.	133.5 in.	119.7 in.
N	43°	41°	43°	41°
O	53°	46°	53°	46°
P	47°	37°	47°	37°
Q	29°	29°	29°	29°
R	Ø 29.9 in.	Ø 29.9 in.	Ø 29.9 in.	Ø 29.9 in.
1A	102.3 in.	104.3 in.	102.3 in.	104.3 in.
1B	90.2 in.	92.2 in.	90.2 in.	92.2 in.
1C	46.4 in.	48.4 in.	46.4 in.	48.4 in.
1D	42.5 in.	42.5 in.	42.5 in.	42.5 in.



TIPPING LOADS

	G2200 HD	G2200 X-Tra HD	G2200 HD+	G2200 X-Tra HD+
S	3,197 lbs	4,528 lbs	3,197 lbs	4,528 lbs
T	2,756 lbs	3,483 lbs	2,756 lbs	3,483 lbs
U	2,094 lbs	2,513 lbs	2,094 lbs	2,513 lbs
V	1,642 lbs	1,874 lbs	1,642 lbs	1,874 lbs
W	4,409 lbs	5,897 lbs	4,409 lbs	5,897 lbs
X	2,800 lbs	3,505 lbs	2,800 lbs	3,505 lbs
Y	2,205 lbs	2,469 lbs	2,205 lbs	2,469 lbs

GIANT Loaders North America reserves the right to make changes in specification at any time without notice or obligation.

725 Ida Street, Cedar Falls IA 50613, USA P: +1.319.449.3677 Fax: +1.319.449.3738